

PTSA 0,5/ 7-2,5-Z

Order No.: 1990054

The figure shows a 10-position version of the product

<http://eshop.phoenixcontact.de/phoenix/treeViewClick.do?UID=1990054>Pcb terminal, number of poles: 7, pitch: 2.5 mm, U = 160 V, I = 2 A,
cross section: 0.5 mm²

Commercial data

| | |
|--------------------------|--------------------|
| EAN | 4017918973629 |
| Pack | 100 Pcs. |
| Customs tariff | 85369010 |
| Weight/Piece | 0.0029 KG |
| Catalog page information | Page 407 (CC-2007) |

Product notes

WEEE/RoHS-compliant since:
01/29/2004

<http://www.download.phoenixcontact.com>
Please note that the data given here has been taken from the online catalog. For comprehensive information and data, please refer to the user documentation. The General Terms and Conditions of Use apply to Internet downloads.

Technical data

Dimensions / positions

| | |
|---------------------|------------|
| Pitch | 2.5 mm |
| Number of positions | 7 |
| Pin dimensions | 0,4 x 0,75 |
| Pin spacing | 2.5 mm |

Technical data

| | |
|----------------------------------|---------------------|
| Rated surge voltage (III/3) | 2.5 kV |
| Rated surge voltage (III/2) | 2.5 kV |
| Rated surge voltage (II/2) | 2.5 kV |
| Rated voltage (III/2) | 250 V |
| Rated voltage (II/2) | 250 V |
| Connection in acc. with standard | EN-VDE |
| Nominal current I_N | 2 A |
| Nominal voltage U_N | 160 V |
| Nominal cross section | 0.5 mm ² |
| Maximum load current | 2 A |
| Stripping length | 8 mm |

Connection data

| | |
|--|----------------------|
| Conductor cross section solid min. | 0.14 mm ² |
| Conductor cross section solid max. | 0.5 mm ² |
| Conductor cross section stranded min. | 0.2 mm ² |
| Conductor cross section stranded max. | 0.5 mm ² |
| Conductor cross section AWG/kcmil min. | 24 |
| Conductor cross section AWG/kcmil max | 20 |

Certificates / Approvals

Approval logo



CUL

| | |
|-----------------------|-------|
| Nominal voltage U_N | 300 V |
| Nominal current I_N | 2 A |
| AWG/kcmil | 26-20 |

UL

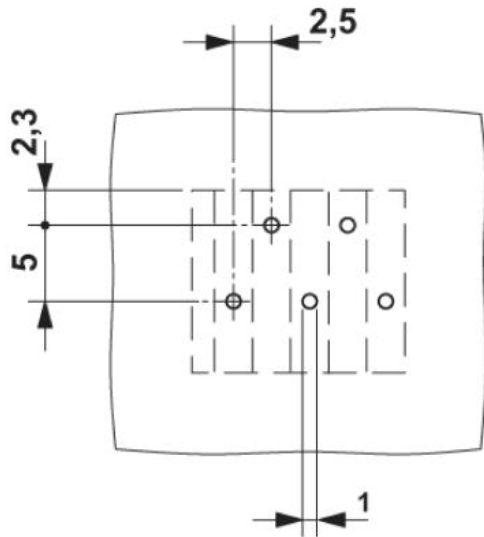
| | |
|-----------------------|-------|
| Nominal voltage U_N | 300 V |
| Nominal current I_N | 2 A |
| AWG/kcmil | 26-20 |

Certification

CCA, CUL, UL, VDE-PZI

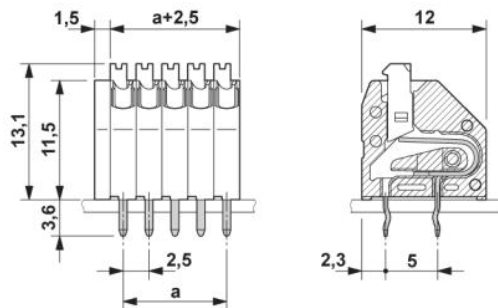
Drawings

Drilling diagram



The illustration shows the 5-pos. version – Zig-zag pinning starts at the right-hand position. Other pinning available on request.

Dimensioned drawing



The illustration shows the 5-pos. version